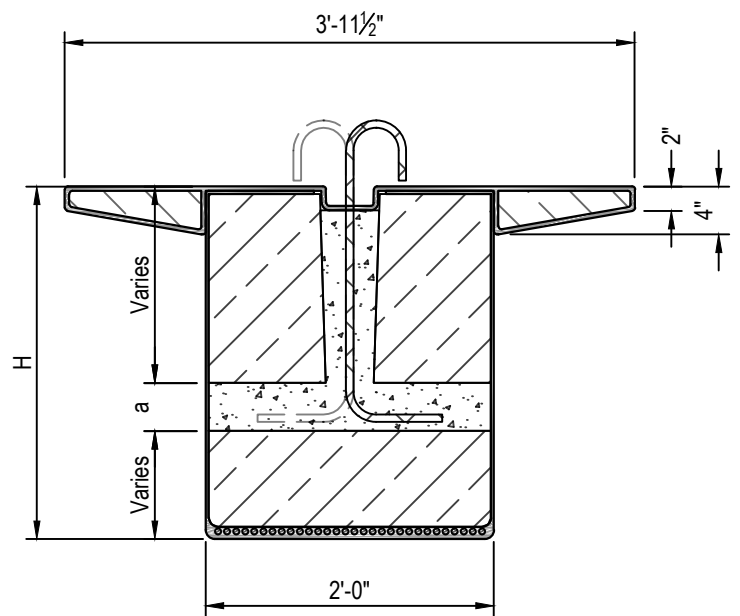


**Standard Section**



**With Integral Deck Form**  
(Top Flange)

## HCB Typical Section

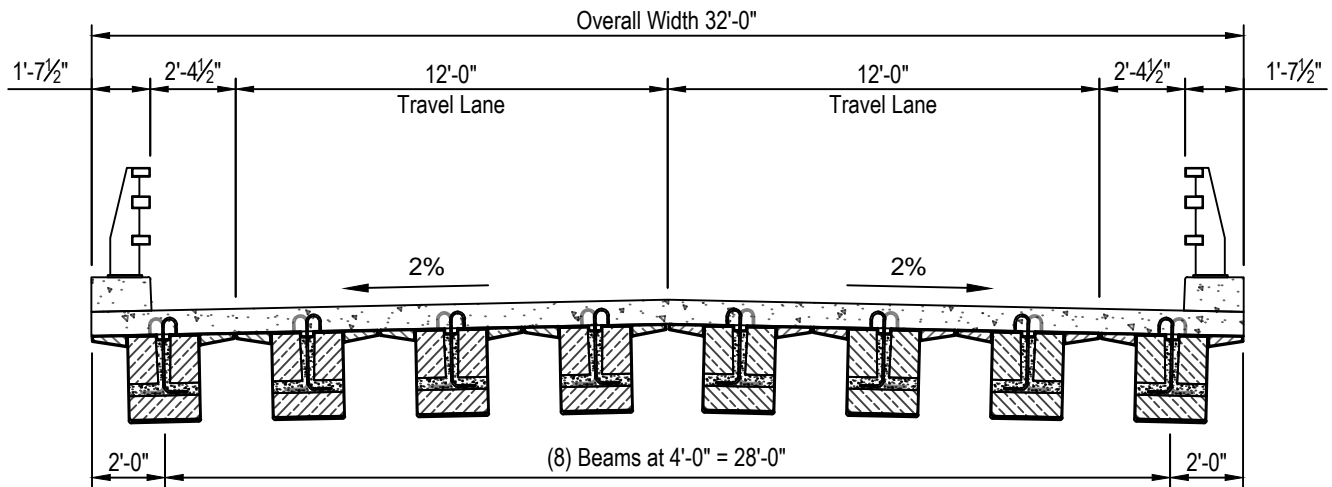
### Preliminary HCB Section Info Highway Bridges

Beam Depth	Arch Ht (a)	Approximate Max Span	Weightt (Lbs/Ft)	
			Empty	Filled
18 In	4 In	36 Ft	56	183
21 In	4 In	43 Ft	56	187
24 In	4 In	50 Ft	58	194
27 In	4 In	55 Ft	59	201
30 In	5 In	62 Ft	61	228
33 In	5 In	69 Ft	63	234
36 In	5 In	75 Ft	65	241
39 In	6 In	81 Ft	67	248
42 In	6 In	85 Ft	68	254

#### Notes:

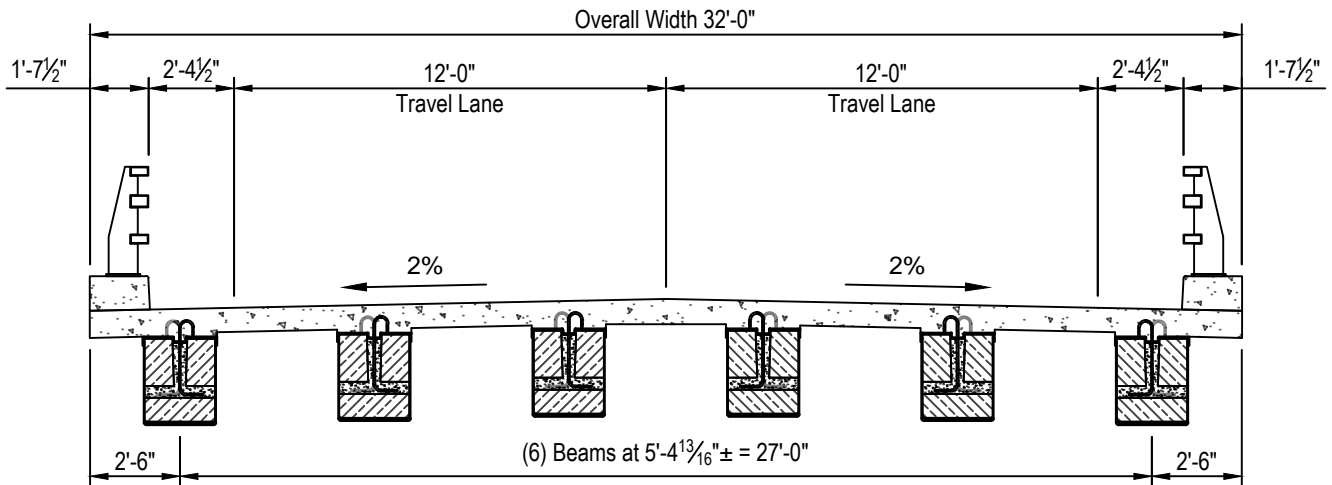
1. Preliminary section properties based simple span with HL-93 Live Load in accordance with AASHTO LRFD Code Provisions
2. Preliminary section properties assume an 8" minimum concrete deck made composite cast in the field.
3. Assumed material properties
  - 3.1. Concrete Arch: 6,000 PSI @ 28 days
  - 3.2. Strands: ASTM A416, 270 KSI, Galvanized
  - 3.3. Shear Connectors: ASTM A615 Gr 60, Galvanized

**FOR INFORMATION ONLY**



## HC B Highway Bridge Typical Section

Using HCBs with Integral Deck Form



## HC B Highway Bridge Typical Section

Using HCBs with SIP or Removable Deck Forms

### Notes:

- Sections shown are typical. Beam size and spacing to be based on final design and geometry of bridge

FOR INFORMATION ONLY